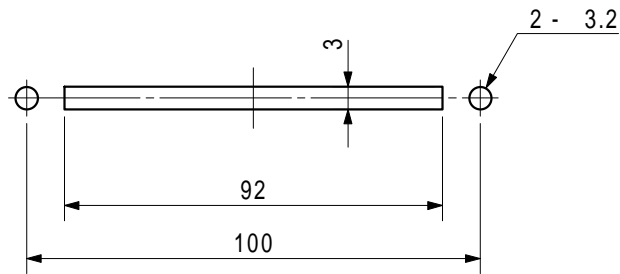
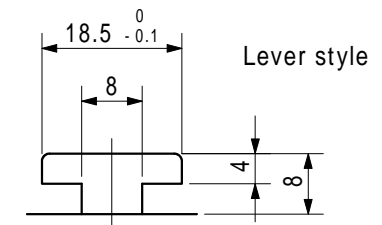
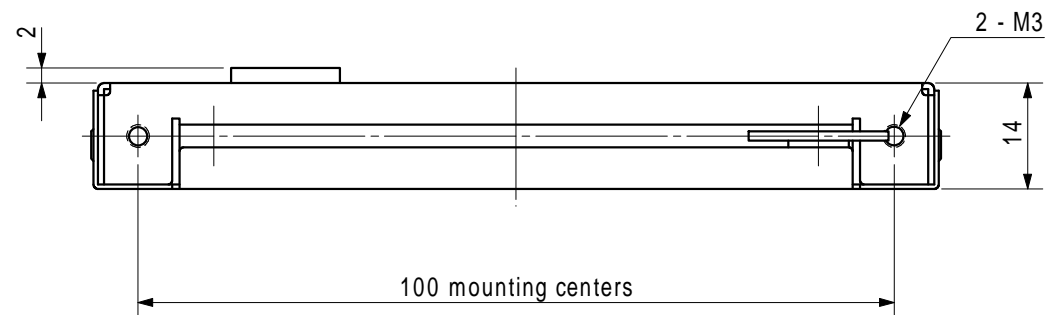


A

PANEL CUT OUT

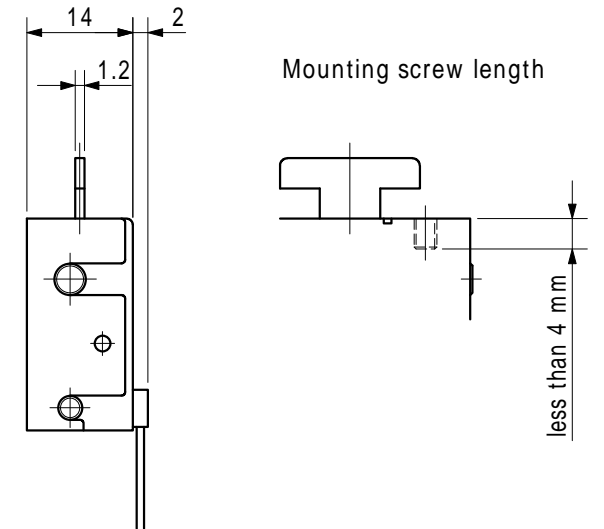
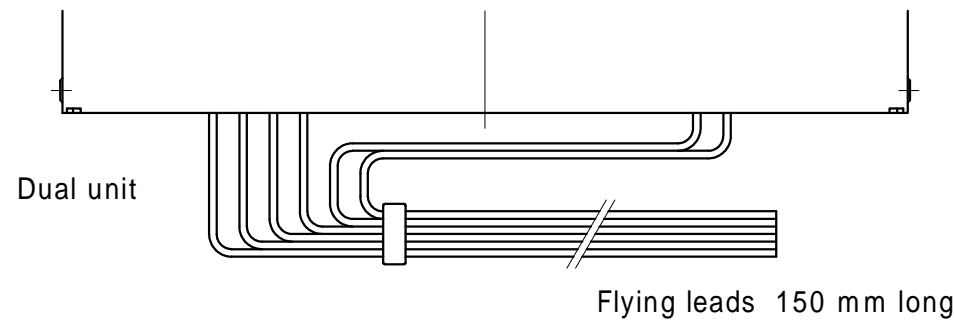
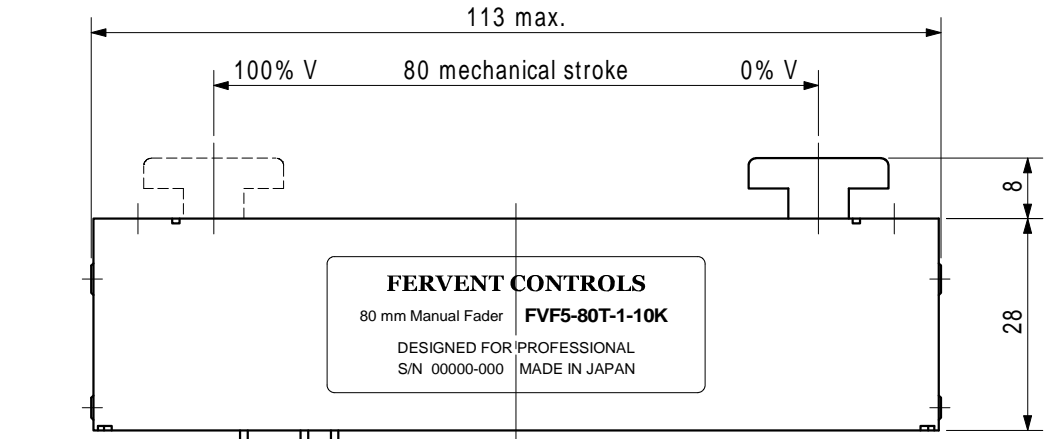
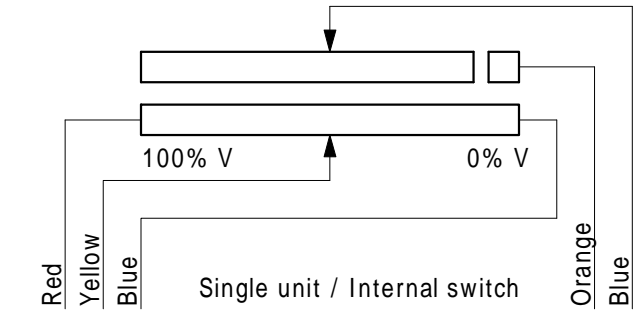
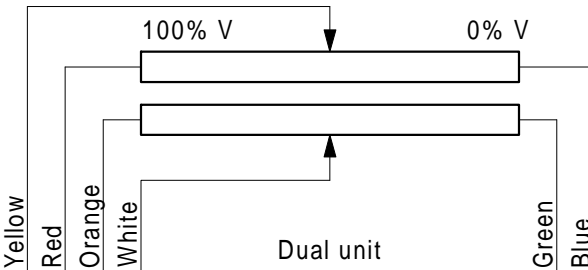
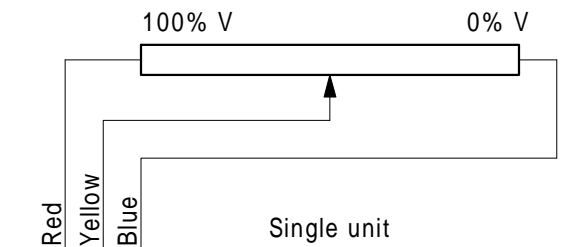


DIMENSIONS



B

CIRCUIT DIAGRAMS



NUMBERING

FVF5 - 80 T - 1 - 10 K

- T Having sliding torque
- S Sooth feeling
- 1 Single unit
- 2 Dual unit
- 3 Single unit / Internal switch
- 10 Total Resistance 10k : Standard

E

REVISION	DATE	DESCRIPTION		DRAWN	CHECKED	APPROVED	MATERIAL	MODEL	
4				12. Oct. 2019				FVF5-80	
3				DIMENSION				SURFACE PREPARATION	TITLE
2				mm	A.Ohtaki				Manual Fader
1			SCALE	<b>FERVENT CONTROLS</b>			SURFACE FINISHING	DOCUMENT NO.	
SEET NO.		NOTE	1 / 1						
1 OF 1									