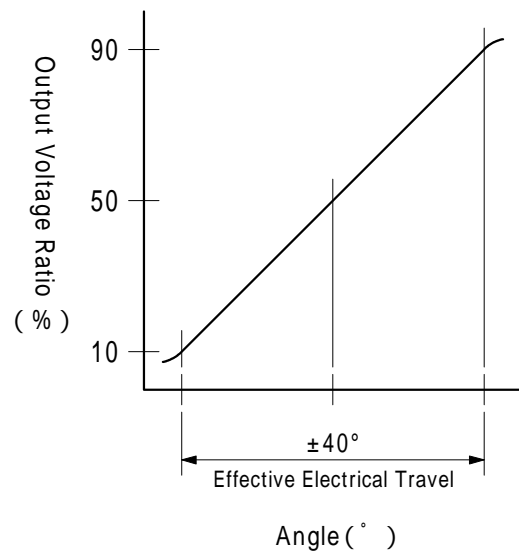
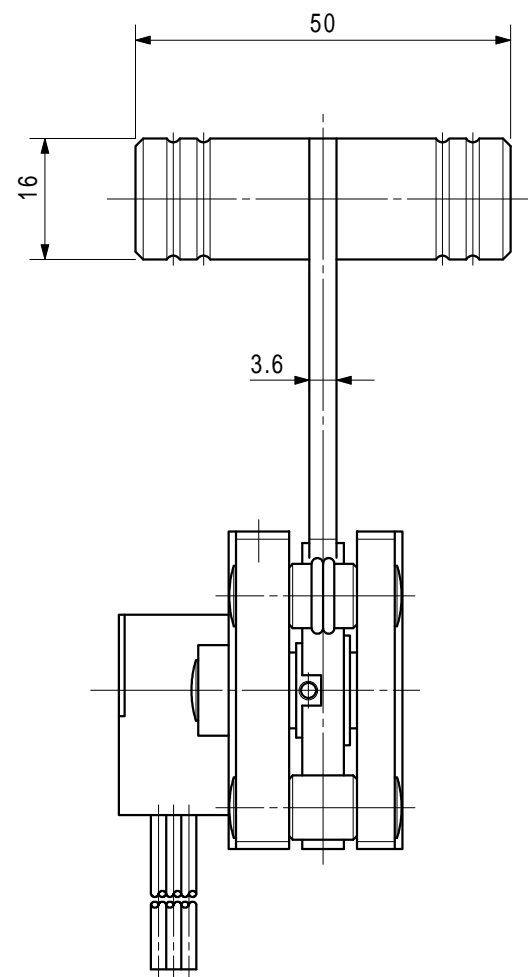
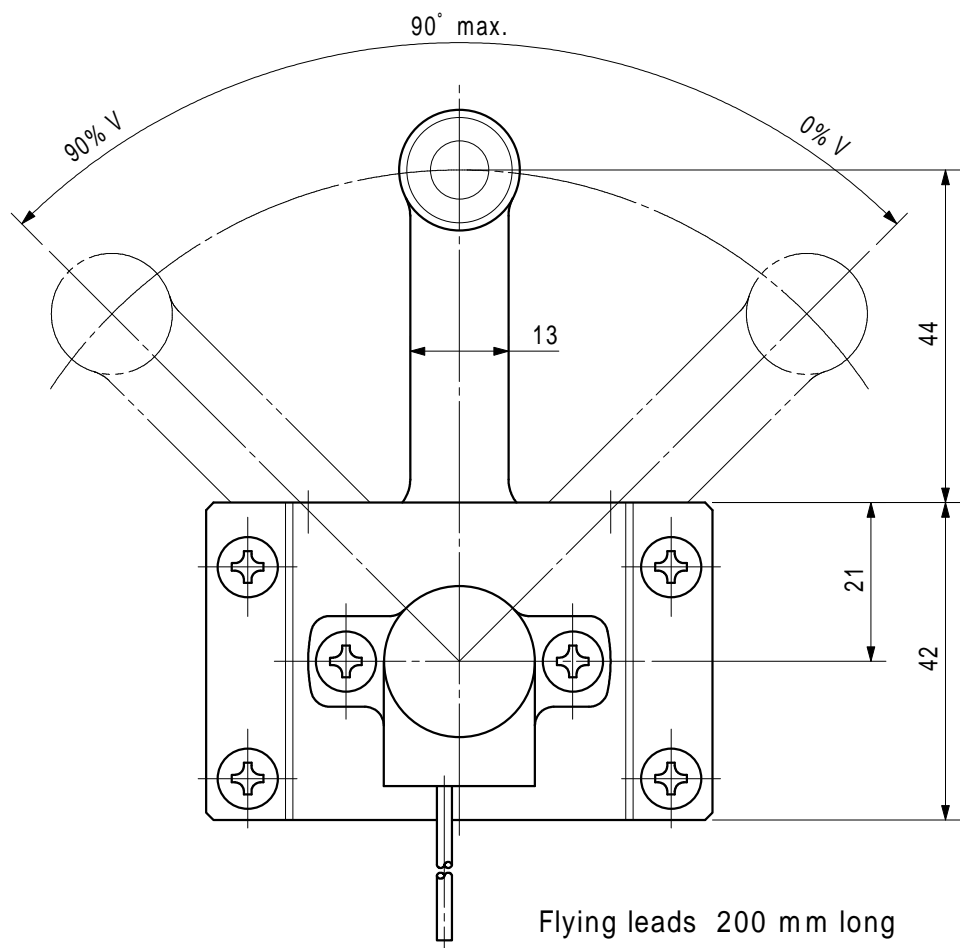
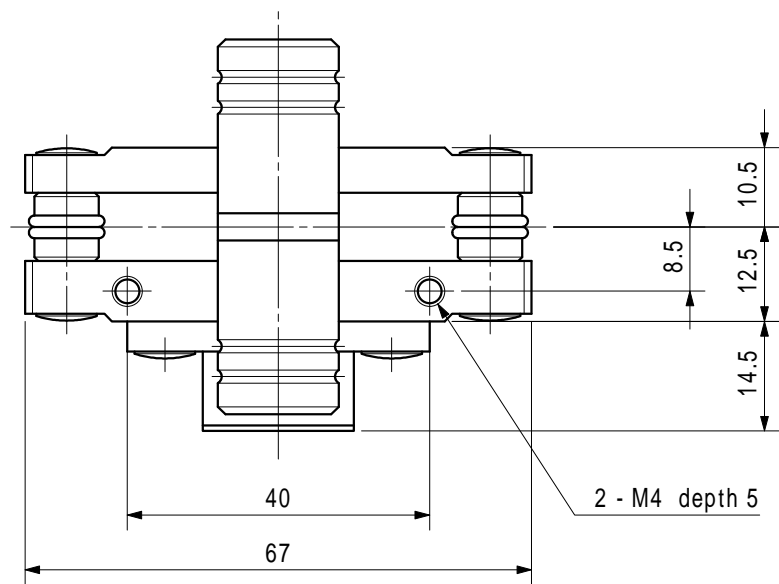


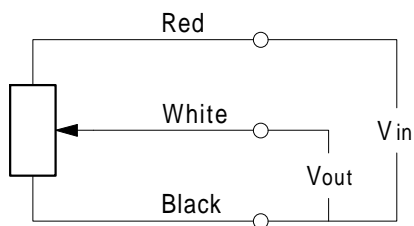
OUTPUT CHARACTERISTICS



DIMENSIONS



CIRCUIT DIAGRAMS



REVISION	DATE	DESCRIPTION	DRAWN			CHECKED	APPROVED	MATERIAL	MODEL	
4			6. Oct. 2019						FVTB5M - 90	
3			A.Ohtaki					SURFACE PREPARATION	TITLE	
2								SURFACE FINISHING	T-Bar Video Controller	
1								DOCUMENT NO.		
SEET NO.		NOTE	SCALE		FERVENT CONTROLS					
1 OF 1			1 / 1							